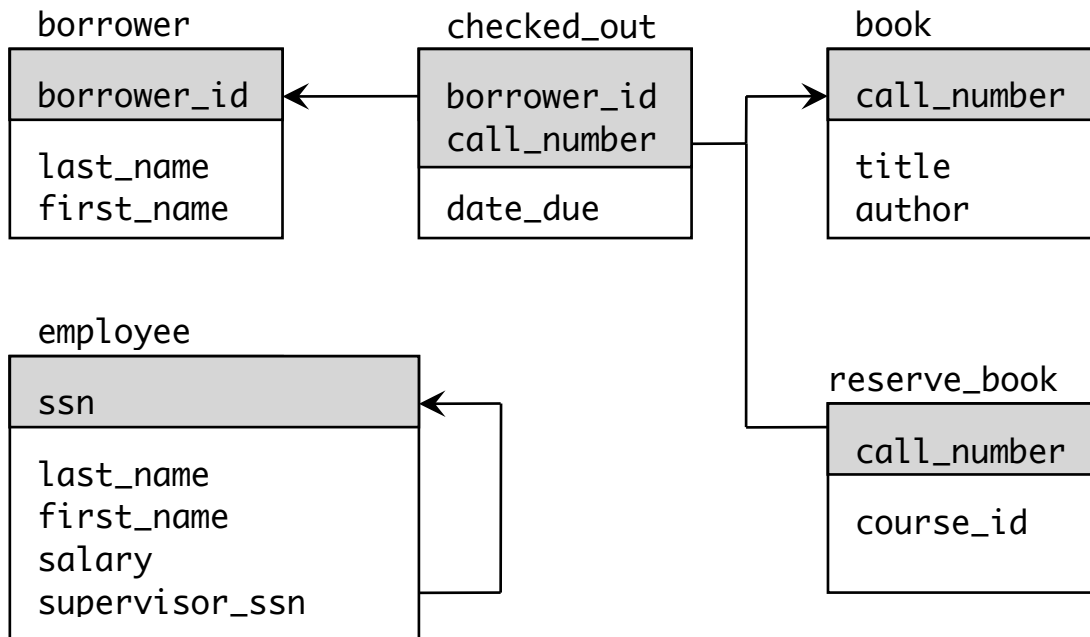


## CS352: DATABASE SYSTEMS – Example Library Database for Relational Model Lecture



Simplifying assumptions for this example:

- 1) author of a book is single-valued
- 2) there is only one copy of a book with a given call number
- 3) a given book can only be on reserve for a single course
- 4) course-id is presumably a foreign key in a table not shown

borrower(borrower\_id, last\_name, first\_name)

12345	aardvark	anthony
20147	cat	charlene
89754	dog	donna
60984	fox	frederick
54872	zebra	zelda

book(call\_number, title, author)

QA76.093	Wenham Zoo Guide	elephant
RZ12.905	Fire Hydrants I Have Known	dog
LM925.04	21 Ways to Cook a Cat	dog
AB123.40	Karate	koala

checked\_out(borrower\_id, call\_number, date\_due)

89754	RZ12.905	2002-11-10
89754	LM925.04	2002-11-10
20147	AB123.40	2002-11-15

reserve\_book(call\_number, course\_id)

QA76.093	BY123
AB123.40	PE075

employee(ssn, last\_name, first\_name, salary, supervisor\_ssn)

123-45-6789	aardvark	anthony	40000	null
567-89-1234	buffalo	boris	30000	123-45-6789
890-12-3456	elephant	emily	50000	123-45-6789
111-11-1111	fox	frederick	45000	567-89-1234